



1-800-242-2303
wbmfg.com

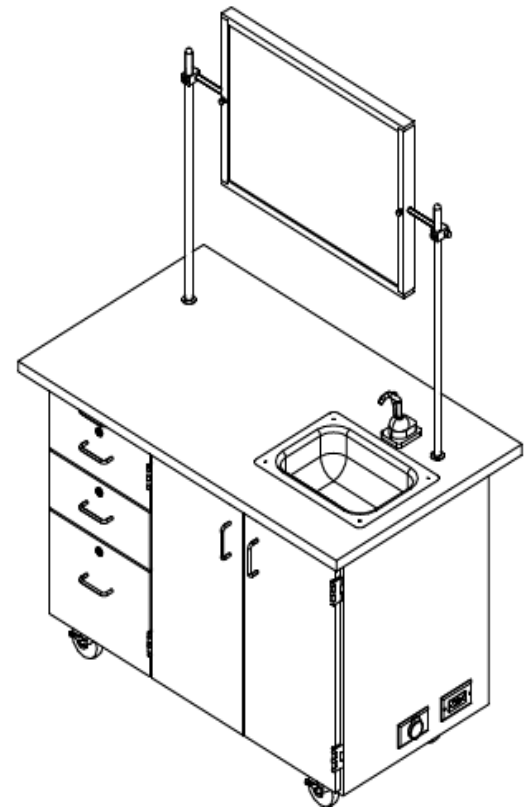
SCIENCE WORKSTATION/ INSTRUCTOR DESK



NOTE: These instructions are based on a Mobile Science Demo Station. These instructions work for both the Science Workstation & Instructor Desk. Product images are for illustrative purposes only and may differ from actual product.



The assembly of this workstation requires the assistance of another person.



TOOLS NEEDED

1/2" Wrench

Adjustable Pliers

Screw driver

PARTS

Items included	Part #	Part Description	QTY
Casters	100081	Caster, 4in swivel top plate, w/ brake	4
Caster hardware kit	206509	Caster, assy, hardware, 16-screws, 16-nuts	1
Extension cord	100036	Electrical extension cord	1
Hand pump	100013	Pump, rocket hand RP800	1
Tubing	100015	Tubing, 3/8 for hand pump	2.5
Cross bar	100007	Rod, cross bar 1/2 DIA.X 40L	1
Uprights	100004	Rod, upright 3/4 DIA.X 40L	2
Clamps	100003	Rod clamp 1/2 x 3/4 assy	2
Water jugs	100118	Water jug, 2 1/2 gal rectangular	2
Goose neck fixture	222830	Fixture, L081-55WSA GSNCK w/ flange	1



NOTE:

1. Components vary with style of mobile cabinet purchased.
2. **XX** indicates items that may not come with unit (depending on model purchased).



NOTE: Hardware packs are included in packaging. You may receive more hardware than needed. Discard any extra hardware after assembly.

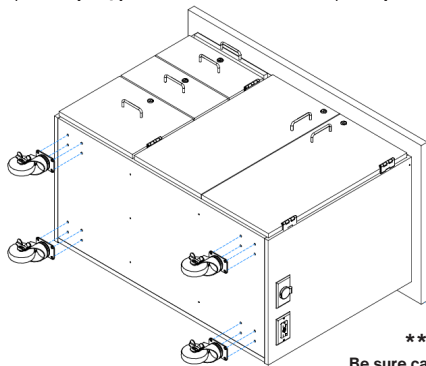


CAUTION! Some parts may have sharp edges. Care must be taken when handling various pieces to avoid injury. For your safety, wear a pair of work gloves when assembling.

ASSEMBLY

Section 1

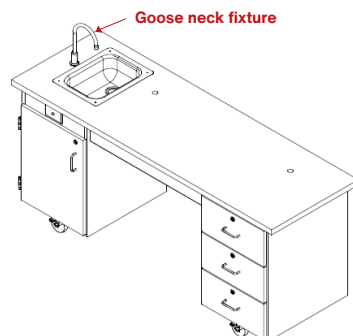
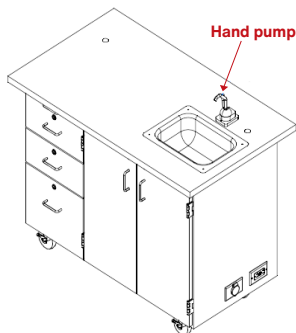
1. Lay cabinet on its back on a protected flat surface to prevent damage.
2. Attach casters from inside of cabinet using hardware provided.
3. If your cabinet does not have a hand pump, water fixture, or uprights and crossbar, skip to section 6.



****NOTE****
Be sure cabinet is on a clean surface to prevent damage

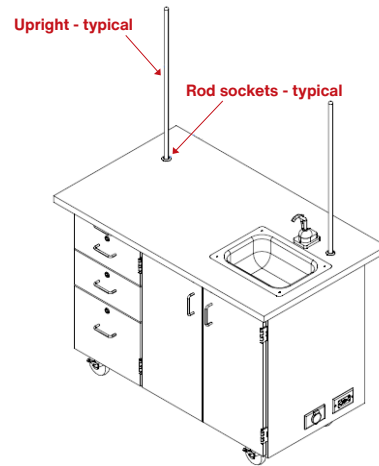
Section 2

1. Attach hand pump or water fixture to pilot holes located on top with hardware provided.
2. Attached one end of the 3/8" tubing to the pump or water fixture and insert other end into fresh water container (not shown).
3. Remove sink stopper from bottom of plastic sink drain hose and put into the sink drain.
4. Insert end of the hose into waste water container (not shown).



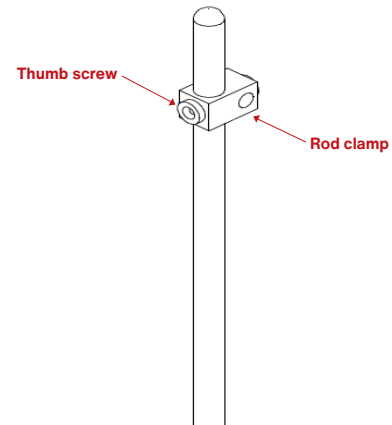
Section 3

1. Insert tapered end on uprights into rod sockets on the top.



Section 4

1. Slide rod clamps over upright and tighten in desired location using thumb screws provided on clamps.
2. Repeat on other upright.

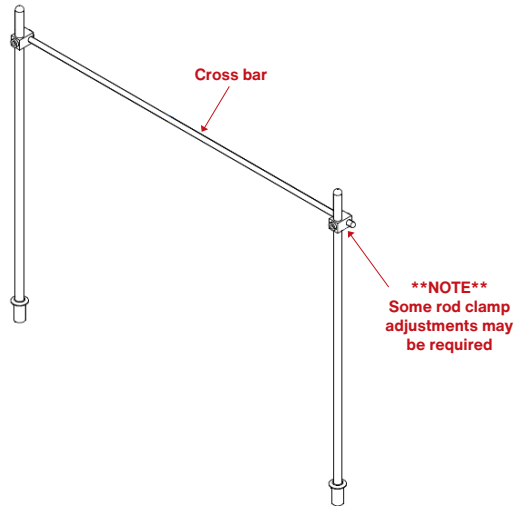


NOTE:

Casters are not to be used as a leveling device. Please make sure that casters are tightened all the way to prevent possible damage to the stem of the caster.

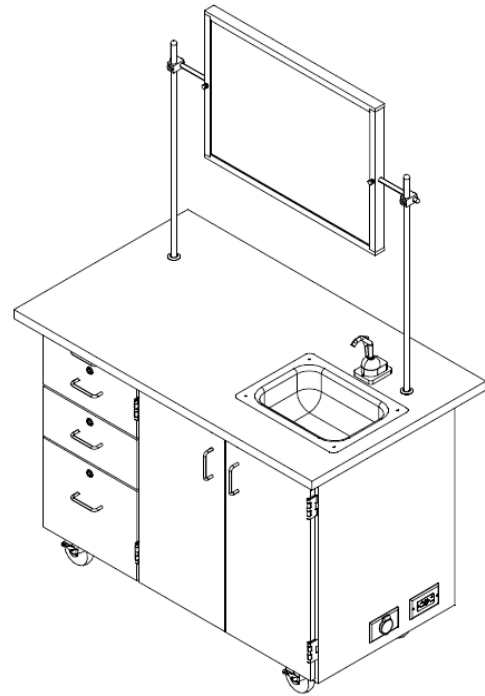
Section 5

1. Slide cross bar through one clamp.
2. Position other side through the other clamp.
3. If you have a mirror/marker board, see mirror/marker board assembly instructions for proper installment.



Section 6

1. With someone's help, position the cabinet right side up. (Make sure to have the locking casters' levers pushed down to secure cabinet in place.)



NOTE:

Recommended cleaning instructions after every use.

- Empty clean waste jugs.
- Rinse with mild anti bacterial soap.
- Run mild anti bacterial soap through water lines and hand pump to insure no bacterial build up.